

HANDLE SHANKS

Die-cast zinc alloy, epoxy resin coating, matte finish. Fitted to the tube by means of a screw.

END CAPS

Polyamide based (PA) technopolymer, light grey colour.

STANDARD EXECUTIONS

Threaded blind holes.

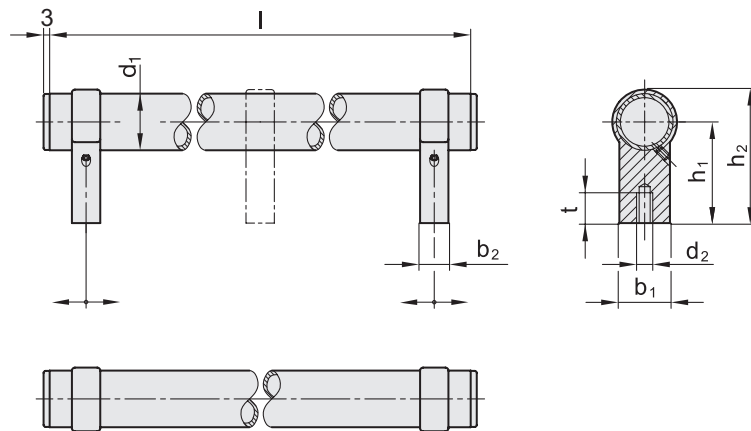
- **GN 333.3-ELS**: anodised aluminium tube, natural colour. Side handle shanks, RAL 9005 black colour, matte finish.
- **GN 333.3-ELS**: anodised aluminium tube, natural colour. Side handle shanks, RAL 9005 black colour, matte finish.
- **GN 333.3-ELG**: anodised aluminium tube, natural colour. Side handle shanks, RAL 9006 grey colour, matte finish.

FEATURES AND APPLICATIONS

Tubular handles are characterised by a variable handle shank, the handle shanks being adjustable on the tube by means of the set screw.

SPECIAL EXECUTIONS ON REQUEST

Additional side handle shanks.

**Conversion Table**

1 mm = 0.039 inch

mm	inch
242	9.53
392	15.43
492	19.37
592	23.31

Code	Description	d1	l±0.25	d2	b1	b2	h1	h2	tmin	⚖️
GN.27643	GN 333.3-28-242-A-SW	28	242	M8	25	14	50	66	15	317
GN.27642	GN 333.3-28-242-A-ELS	28	242	M8	25	14	50	66	15	317
GN.27641	GN 333.3-28-242-A-ELG	25	242	M8	25	14	50	66	15	317
GN.27646	GN 333.3-28-292-A-SW	28	242	M8	25	14	50	66	15	342
GN.27645	GN 333.3-28-292-A-ELS	28	242	M8	25	14	50	66	15	342
GN.27644	GN 333.3-28-292-A-ELG	28	242	M8	25	14	50	66	15	342
GN.27649	GN 333.3-28-392-A-SW	28	392	M8	25	14	50	66	15	399
GN.27648	GN 333.3-28-392-A-ELS	28	392	M8	25	14	50	66	15	399
GN.27647	GN 333.3-28-392-A-ELG	28	392	M8	25	14	50	66	15	399
GN.27652	GN 333.3-28-492-A-SW	28	492	M8	25	14	50	66	15	482
GN.27651	GN 333.3-28-492-A-ELS	28	492	M8	25	14	50	66	15	482
GN.27650	GN 333.3-28-492-A-ELG	28	492	M8	25	14	50	66	15	482
GN.27655	GN 333.3-28-592-A-SW	28	592	M8	25	14	50	66	15	556
GN.27654	GN 333.3-28-592-A-ELS	28	592	M8	25	14	50	66	15	556
GN.27653	GN 333.3-28-592-A-ELG	28	592	M8	25	14	50	66	15	556

METRIC